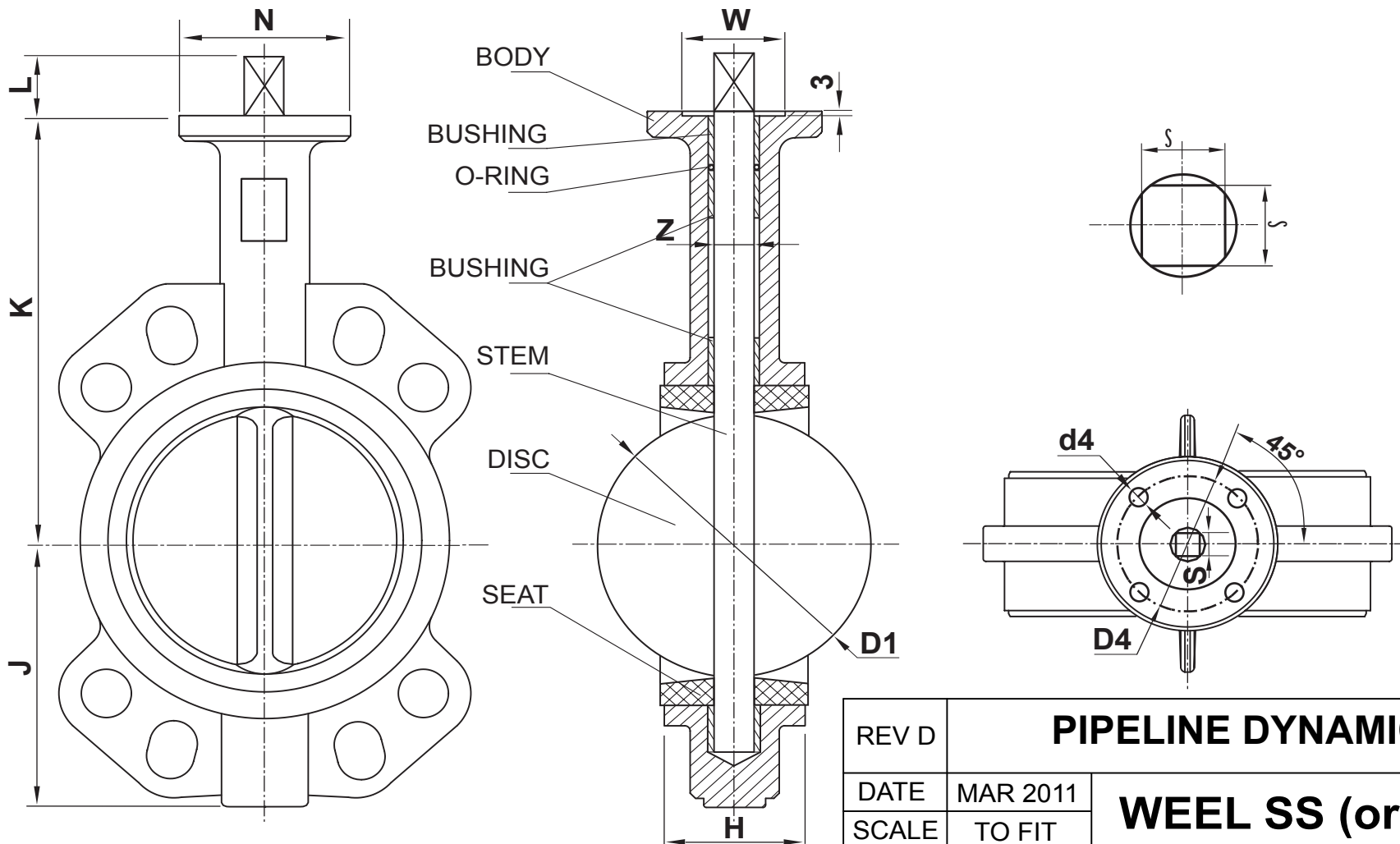


SIZE	K	J	H	Z	L	LOCATING HOLES TO SUIT PCD		D1	N	d4	D4	W	S	ISO	WEIGHT (kg)	
						TABLE D/E	ANSI 150								LEVER	GEAR
50	161	80	43	12.5	32	114	120.5	52.5	65	7	50	36	9	F05	4.5	-
65	175	89	46	12.5	32	127	139.5	63.8	65	7	50	36	9	F05	6.5	-
80	181	95	46	14.5	32	146	152.5	78.1	65	7	50	36	9	F05	7.5	13
100	200	114	52	16.5	32	178	190.5	103.8	90	9	70	56	11	F07	10	16
125	213	127	56	18.5	32	210	216	123.1	90	9	70	56	14	F07	12	18
150	226	139	56	18.5	32	235	241.5	155	90	9	70	56	14	F07	15	21
200	260	175	60	22.5	40	292	298.5	202.1	125	11	102	71	17	F10	23	33
250	292	203	68	30.5	40	356	362	250.1	125	11	102	71	22	F10	30	45
300	337	242	78	30.5	40	406	432	301.1	125	11	102	71	22	F10	43	59

NO	PART NAME	MATERIAL
1	BODY	CF8M
2	DISC	CF8M
3	STEM	316 SS
4	SEAT	EPDM
5	O-RING	NBR (NITRILE)

50mm (2") ~ 300mm (12") WAFER TABLE D/E & ANSI 150 BUTTERFLY VALVES LEVER or GEAR OPERATED ONLY

PINLESS STAINLESS DISC



OPERATING TORQUE Nm*
* Allow a Safety Factor when sizing actuators

SIZE	SHUT OFF PRESSURE kPa		
	600	1000	1600
50	23	24	27
65	24	29	33
80	32	35	48
100	50	54	56
125	82	88	90
150	104	110	124
200	187	200	233
250	300	355	392
300	410	530	560

REV D	PIPELINE DYNAMICS PTY. LTD.		
DATE	MAR 2011	WEEL SS (or WEEG SS) RATED 16 BAR	
SCALE	TO FIT		
STAINLESS STEEL WAFER TABLE D/E & ANSI 150 BUTTERFLY VALVES			