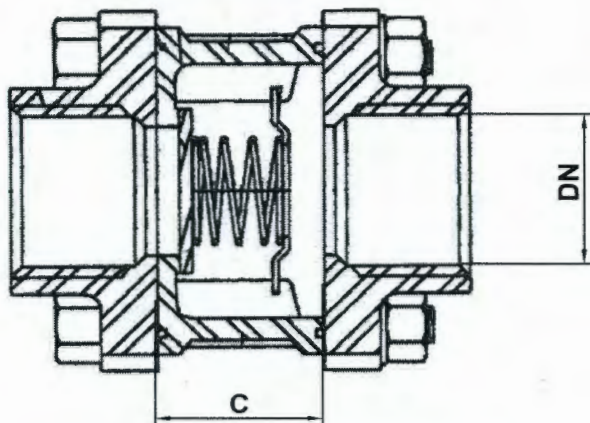
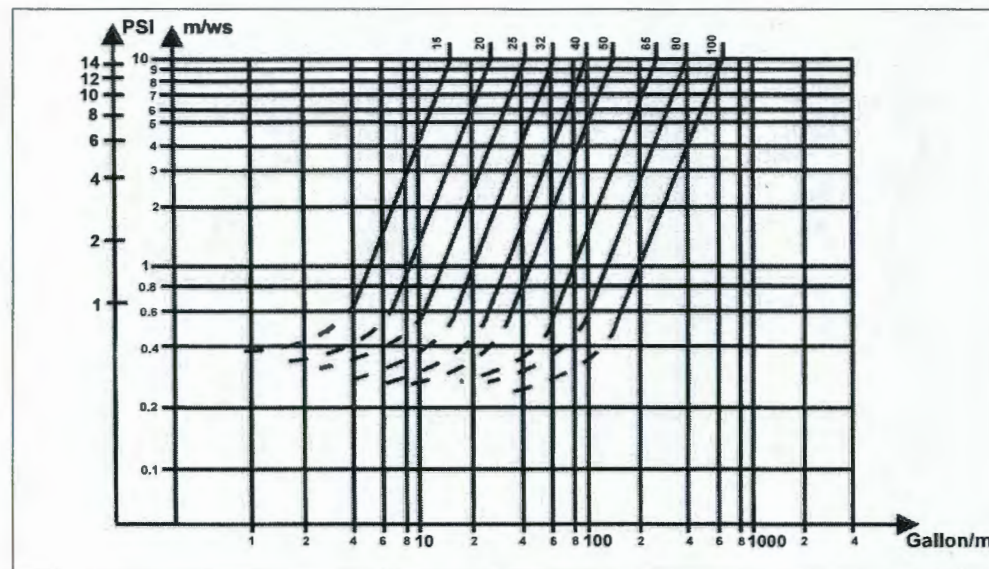


L : (SCREWED & SOCKET ENDS)

L1: (BUTTWELD ENDS)



NO	PART NAME	MATERIAL
1	BODY	ASTM A351 CF8M
2	END CAP	ASTM A351 CF8M
3	DISC	T - 316 STAINLESS STEEL
4	BODY SEAL	15% GF PTFE
5	SPRING	300 SERIES SS
6	SPRING HOLDER	T - 316 STAINLESS STEEL
7	WASHER	304 SS
8	NUT	304 SS
9	BOLT	304 SS



FLOW RATE CHART

SIZES	DN	C	L	L1	CRACKING PRESSURE PSI	
					DOWN SERVICE	UP SERVICE
8NB	Φ10.0	14.0	56	61	0.08	0.08
10NB	Φ10.0	14.0	56	61	0.08	0.08
15NB	Φ14.0	18.0	65	65	0.08	0.08
20NB	Φ18.1	22.0	70	80	0.06	0.07
25NB	Φ24.2	27.5	78	88	0.06	0.07
32NB	Φ30.2	32.0	96	96	0.03	0.04
40NB	Φ36.2	37.0	102	107	0.02	0.03
50NB	Φ48.3	47.0	118	128	0.02	0.03
65NB	Φ63.0	47.0	145	150	0.02	0.03
80NB	Φ76.0	55.0	156	171	0.02	0.03
100NB	Φ98.0	70.0	185	215	0.03	0.04

REV A	Pipeline Dynamics	
DATE	MAY 2005	V3WC
SCALE	TO FIT	3-PCE WAFER DISC CHECK VALVE