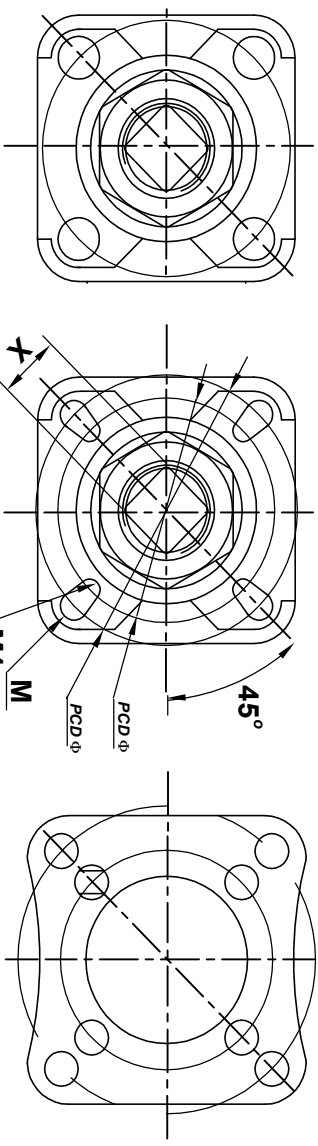


SOCKET WELD END

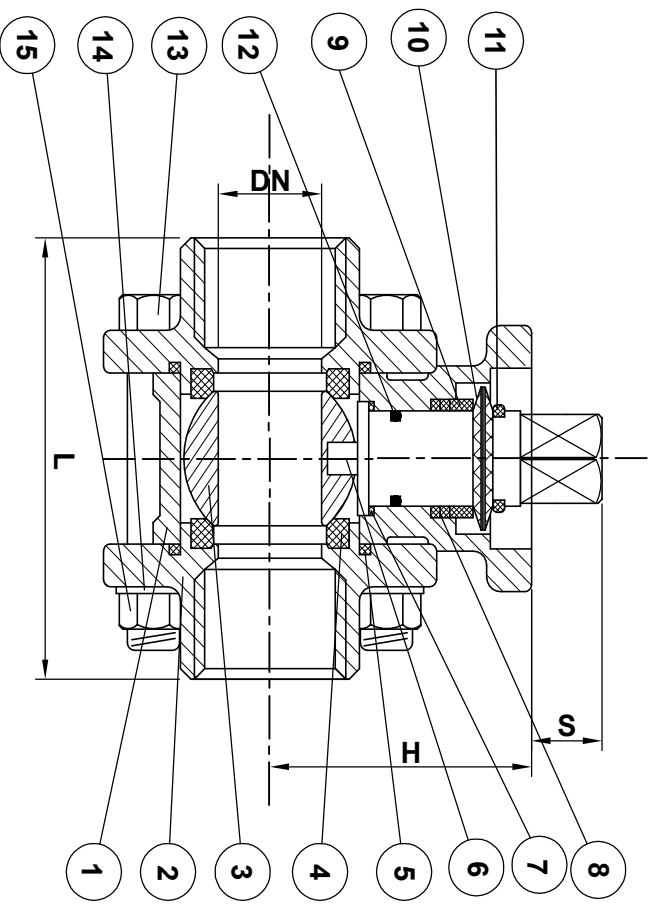
BUTT WELD END



SIZES: 8NB ~ 15NB

SIZES: 20NB ~ 50NB

SIZES: 65NB ~ 100NB



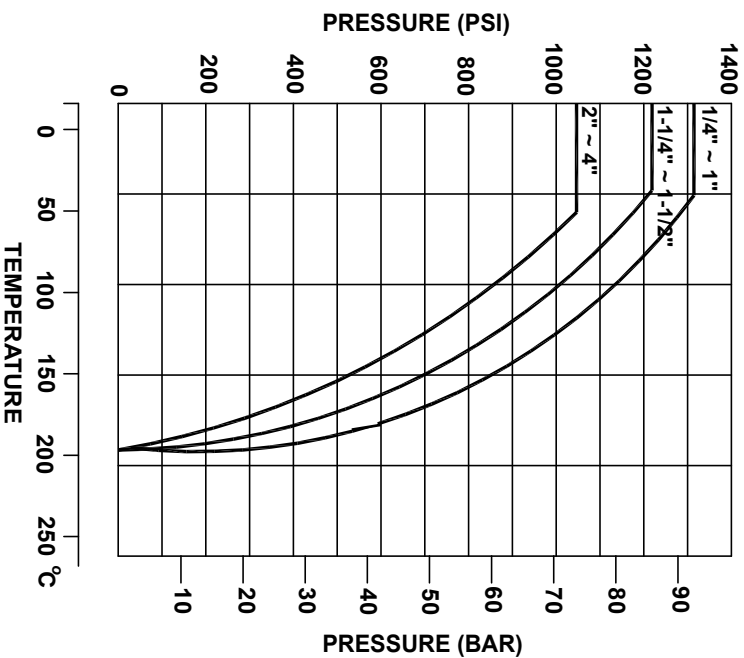
NO	PART NAME	MATERIAL	QTY
1	BODY	ASTM A351 CF8M	1
2	CAP	ASTM A351 CF8M	2
3	BALL	ASTM A351 CF8M	1
4	BALL SEAT	15% R - PTFE	2
5	JOINT GASKET	15% R - PTFE	2
6	STEM	AISI 316	1
7	THRUST WASHER	15% R - PTFE	1
8	STEM PACKING	15% R - PTFE	2
9	STEM RING	AISI 304	1
10	BELLEVILLE WASHE	AISI 304	2
11	C-RING	K5	2
12	O-RING	VITON	1
13	BOLT	AISI 304	4
14	SPRING WASHER	AISI 304	4
15	HEX NUT	AISI 304	4

REV A		<h1>Pipeline Dynamics</h1> <h2>V3MHC</h2>	
DATE	MAY 2005		
SCALE	TO FIT		
		Page 1 of 2	
3-PCCE BALL VALVE FB BSP ENDS with ISO MOUNTING PAD			

SIZES	DN	H	S	L	ISO - 5211 DIMENSIONS											
					d	D	K	K1	M	M1	X	PCD	Φ	Cv Factor	Torque (Nm)*	Weight (kg)
8NB	11	36	7.5	47.6	Φ11	Φ18.1	Φ14.1	Φ11	Φ6.0	-	9	F03	36	6.4	4.5	0.44
10NB	12.7	36	7.5	47.6	Φ12.7	Φ18.1	Φ17.5	Φ12.7	Φ6.0	-	9	F03	36	7.9	4.5	0.44
15NB	15	38	8.0	62	Φ15	Φ21.7	Φ21.7	Φ16.1	Φ6.0	-	9	F03	36	11.2	5.5	0.64
20NB	20	41.7	9.5	77	Φ20	Φ27.2	Φ27.2	Φ21.3	R3.5	R3.0	9	F04	42	21	9.0	0.83
25NB	25	44.4	11.5	83	Φ25	Φ34	Φ33.9	Φ26.7	R3.5	R3.0	11	F04	42	34	11.0	1.2
32NB	32	52.8	11.5	94	Φ32	Φ42.7	Φ42.6	Φ35.2	R4.5	R3.5	11	F05	50	57	15.5	2.0
40NB	38	58.5	12	107	Φ38	Φ48.6	Φ48.7	Φ41.5	R4.5	R3.5	14	F05	50	80	22.0	2.9
50NB	50	66	12	120	Φ50	Φ60.5	Φ61.1	Φ55.5	R4.5	R3.5	14	F05	50	148	33.0	4.3
65NB	65	101.5	19	156	Φ65	Φ76.3	Φ73.8	Φ70.9	R4.5	R3.5	17	F05	70	265	40.0	9.0
80NB	80	112.5	19	182	Φ80	Φ93	Φ89.8	Φ82.5	R4.5	R3.5	17	F05	70	415	66.0	15.0
100NB	100	127	19	213.6	Φ100	Φ114	Φ115.4	Φ108	R4.5	R3.5	17	F05	70	780	90.0	

* TORQUE VALUE DOES NOT INCLUDE SF

PRESSURE TEMPERATURE RATING 8NB ~ 100NB



REV A	Pipeline Dynamics		
DATE			MAY 2005
SCALE			TO FIT

V3MHC

3-PCE BALL VALVE FB BSP ENDS with ISO MOUNTING PAD