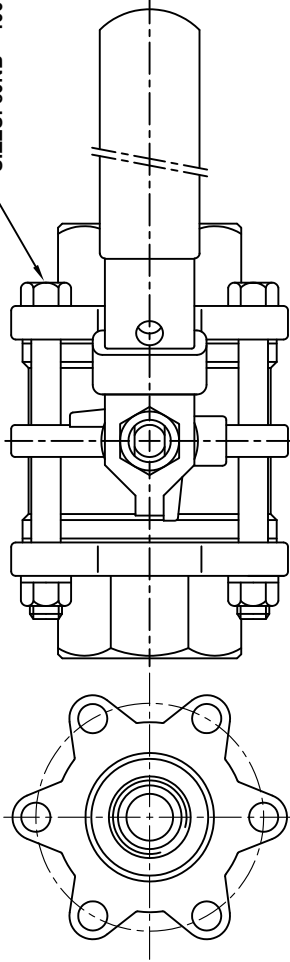
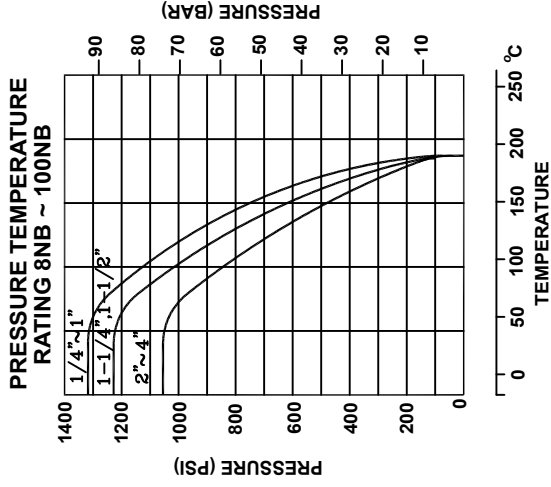
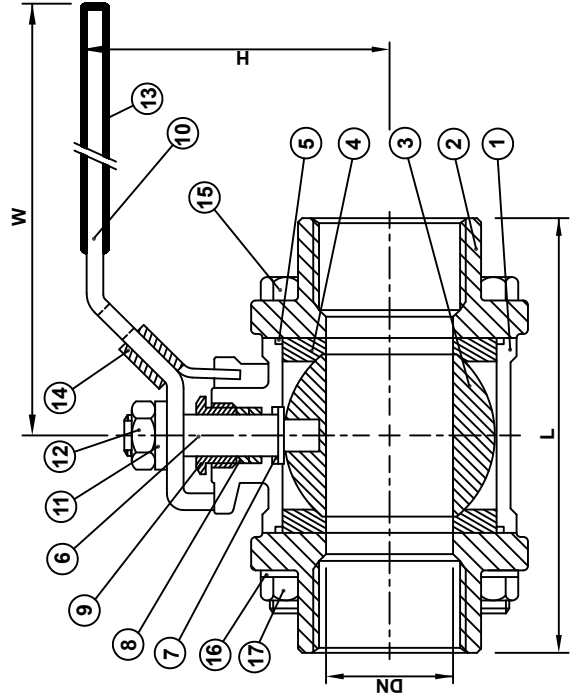


SOCKET WELD END

SIZES: 8NB ~ 65NB (4 BOLTS)
SIZES: 80NB ~ 100NB (6 BOLTS)



SIZES: 80NB & 100NB



PRESSURE TEMPERATURE RATING 8NB ~ 100NB

| NO | PART NAME | MATERIAL |
|----|---------------|----------------|
| 1 | BODY | ASTM A351 CF8M |
| 2 | CAP | ASTM A351 CF8M |
| 3 | BALL | ASTM A351 CF8M |
| 4 | SEAT | 15% R-PTFE |
| 5 | GASKET | 15% R-PTFE |
| 6 | STEM | AISI 316 |
| 7 | THRUST WASHER | PTFE |
| 8 | STEM PACKING | PTFE |
| 9 | GLAND NUT | AISI 304 |
| 10 | HANDLE | AISI 304 |
| 11 | SPRING WASHER | AISI 304 |
| 12 | STEM NUT | AISI 304 |
| 13 | PLASTIC COVER | PLASTIC |
| 14 | LOCK DEVICE | AISI 304 |
| 15 | BOLT | AISI 304 |
| 16 | SPRING WASHER | AISI 304 |
| 17 | HEX NUT | AISI 304 |

| SIZE | DN | H | W | L | S | Cv Factor | Weight kg |
|------|------|------|-----|-------|-------|-----------|-----------|
| 8 | 11.6 | 51 | 95 | 54 | 14.1 | 6.6 | 0.4 |
| 10 | 12.7 | 51 | 95 | 54 | 17.6 | 7.9 | 0.4 |
| 15 | 15 | 53 | 95 | 61.5 | 21.7 | 11.2 | 0.58 |
| 20 | 20 | 59.5 | 110 | 71 | 27.2 | 21 | 0.75 |
| 25 | 25 | 73 | 135 | 83.5 | 33.9 | 34 | 1.08 |
| 32 | 32 | 79 | 135 | 97 | 42.6 | 57 | 1.85 |
| 40 | 38 | 90.5 | 165 | 110.5 | 48.7 | 80 | 2.45 |
| 50 | 50 | 99 | 165 | 129 | 61.1 | 148 | 3.7 |
| 65 | 65 | 127 | 215 | 171.5 | 76.9 | 265 | 7.4 |
| 80 | 80 | 136 | 215 | 200 | 89.8 | 415 | 11 |
| 100 | 100 | 172 | 325 | 252 | 115.4 | 780 | 22 |

Pipeline Dynamics

V3 3PCE BSP

REV B
DATE SEP 2008

SCALE TO FIT

3-PCE BALL VALVE FB BSP ENDS LOCKABLE LEVER