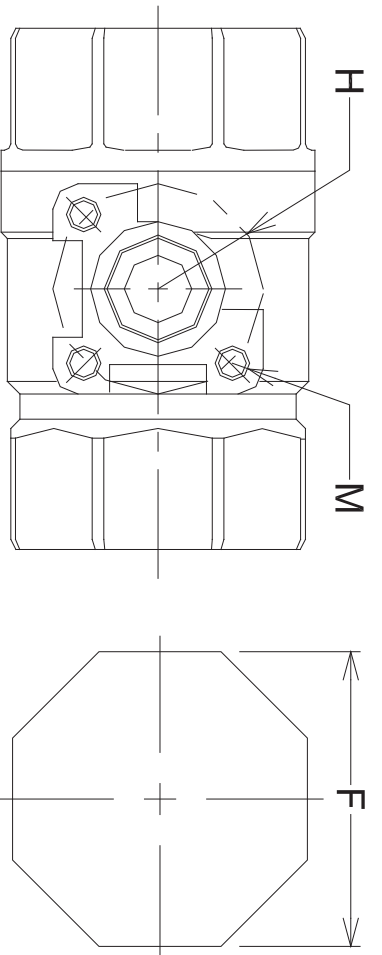
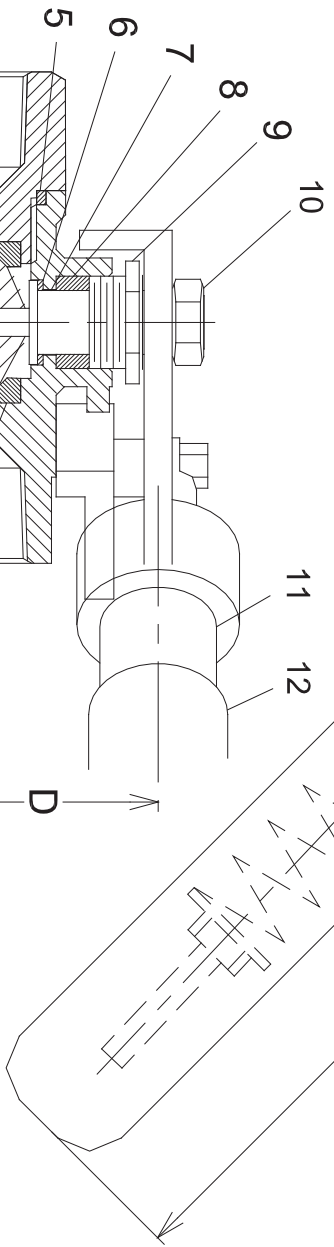


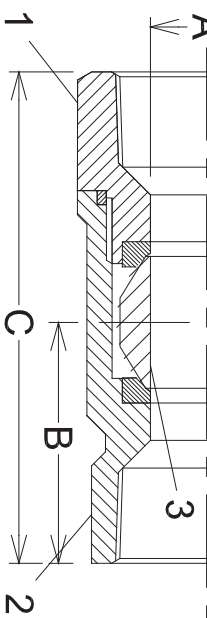
SIZE 1/4" TO 1"



SIZE 1-1/4" TO 2"



- FEATURES**
1. INVESTMENT CASTING
 2. FLOATING BALL
 3. THREADS NPT



REV A		Pipeline Dynamics	
DATE	JUL 2005		
SCALE	TO FIT	V2DM	
2-PCE BALL VALVE FB NPT ENDS RETURN BALL		Page 1 of 2	

DIMENSIONS

UNIT:MM

SIZE	1/4"	3/8"	1/2"	3/4"	1"	1-1/4"	1-1/2"	2"
A	11	12.5	12.5	15	20	25	32	38
B	27.5	27.5	28.4	37.5	43	46	51.5	62
C	58.5	58.5	65	77	86.5	99	103	124
D	30	30	30	37.3	39.5	53.5	57.7	64.5
E	180	180	180	180	180	275	275	275
F	24	24	27	32	41	50	60	70
G	12.7		22.1					
H	28.5		34.8		ϕ 50			
M	M6*1					M8*1.25		

TEST PRESSURE

SHELL TEST (WATER)	3000PSI
SEAT TEST (WATER)	2200PSI
SEAT TEST (AIR)	85PSI

PRESSURE-TEMPERATURE RATING



NO.	PART'S NAME	MATERIAL
1	BODY	CF8M
2	CAP	CF8M
3	BALL	CF8M
4	BALL SEAT	PTFE+15%GF
5	JOINT GASKET	PTFE
6	THRUST WASHER	PTFE+15%GF
7	STEM	AISI 316
8	STEM PACKING	PTFE+15%GF
9	GLAND NUT	A194 Gr.8
10	STEM NUT	A194 Gr.8
11	SPRING HANDLE	AISI 304
12	HANDLE COVER	PLASTIC

Two-Piece 2000PSI Threaded Ends Spring Return Ball Valve
 1/4" ~ 1/2" Full Port, 3/4"~2" Reduce Port

REV A		
DATE	JUL 2005	
SCALE	TO FIT	

Pipeline Dynamics

V2DM