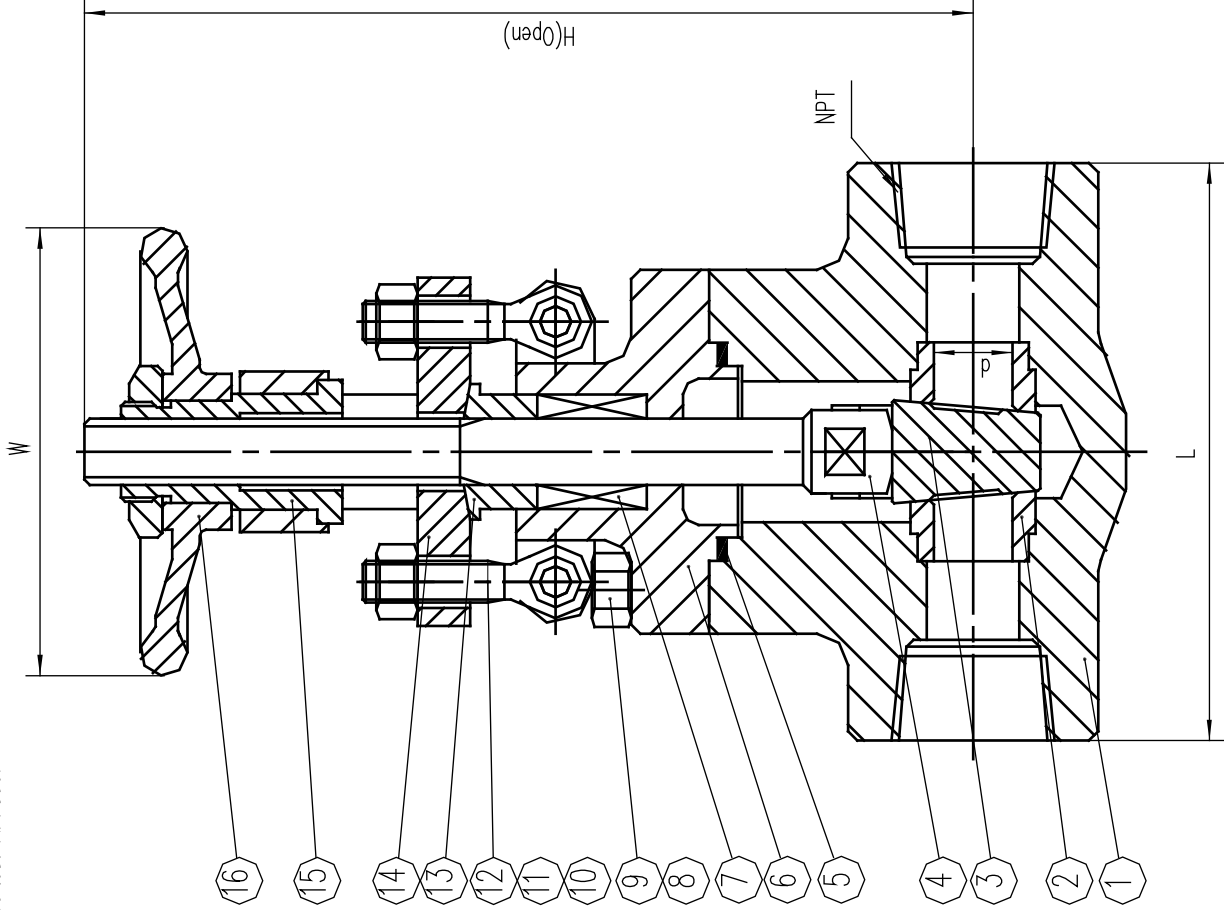


MAIN PARAMETER SPECIFICATION

1. Design and manufacture: API 602
2. Threaded end: ASME / ANSI B1.20.1.
3. Pressure - Temp: ASME / ANSI B16.34.
4. Pressure test: API 598.

NO	Parts Name	Material
1	Body	A182 F316L
2	Seat	A276 316L+STL
3	Disc	A276 316L
4	Stem	A276 316L
5	Gasket	SS316L+GRAPHITE
6	Bonnet	A182 F316L
7	Stem Packing	Graphite
8	Bonnet Bolt	A193 B8
9	Bonnet Nut	A194 8
10	Pin	A276 316L
11	Gland Nut	A194 8
12	Gland Eyebolt	A193 B8
13	Gland	A276 316L
14	Gland Flange	A182 F316L
15	Stem Nut	A276 420
16	Hand Wheel	A105



SIZE	d	L	NPT	H	W
15	10	79	1/2	155	100
20	13.6	92	3/4	160	100
25	18	111	1	188	125
32	24	120	1 1/4	232	160
40	29	152	1 1/2	245	160
50	36.5	172	2	280	180

REV A	PIPELINE DYNAMICS	
DATE	OCT 2005	SSGA800 NPT
SCALE	TO FIT	
316L STAINLESS STEEL GATE VALVE 800 LB - NPT		