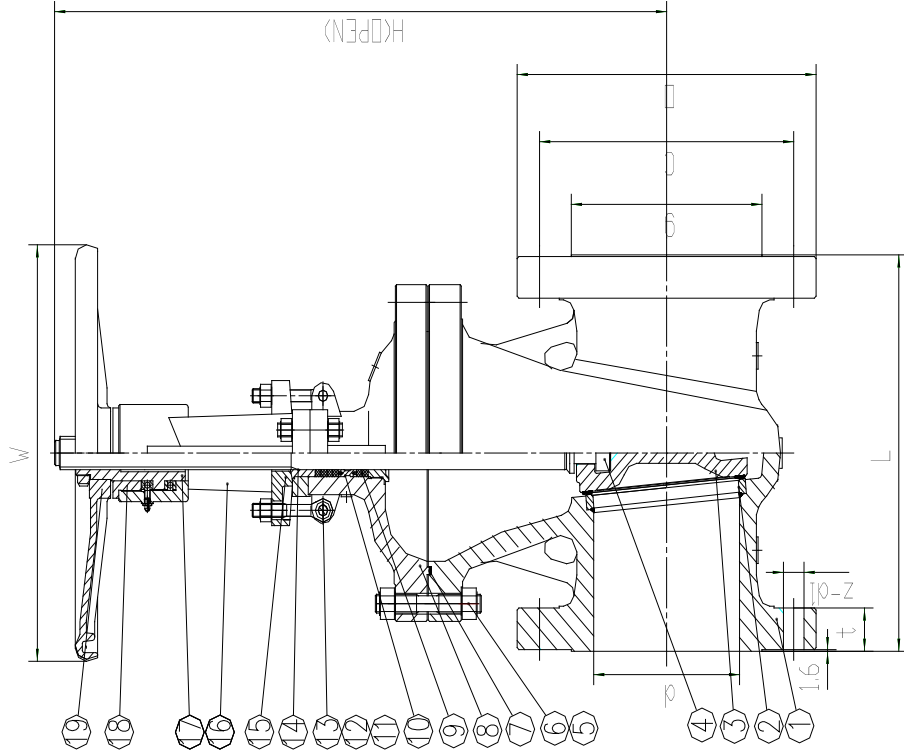


**TECHNICAL REQUIREMENTS**

1. DESIGN AND MANUFACTURE: API 600 or API 6D
2. FACE TO FACE: ASME / ANSI B16.10
3. END FLANGE DIMENSIONS: ASME / ANSI B16.5
4. PRESSURE-TEMP: ASME / ANSI B16.34
5. PRESSURE TEST: API 598



| NO | PART NAME     | MATERIAL         |
|----|---------------|------------------|
| 1  | BODY          | A216 WCB         |
| 2  | SEAT RING     | A105 + STL       |
| 3  | WEDGE         | A216 WCB+13Cr    |
| 4  | STEM          | A182 F6          |
| 5  | BONNET BOLT   | A193 B7          |
| 6  | BONNET NUT    | A194 2H          |
| 7  | GASKET        | SS304 + GRAPHITE |
| 8  | BONNET        | A216 WCB         |
| 9  | STEM PACKING  | GRAPHITE         |
| 10 | LANTERN       | A182 F6          |
| 11 | PIN           | 45               |
| 12 | GLAND EYEBOLT | A193 B7          |
| 13 | GLAND NUT     | A194 2H          |
| 14 | GLAND         | A182 F6          |
| 15 | GLAND FLANGE  | A216 WCB         |
| 16 | YOKE          | A216 WCB         |
| 17 | STEM NUT      | ZCuAl10Fe3       |
| 18 | HAND WHEEL    | DUCTILE IRON     |

| SIZES           | GENERAL DIMENSIONS |      |     |      |  | FLANGE DIMENSIONS |       |     |    |         |
|-----------------|--------------------|------|-----|------|--|-------------------|-------|-----|----|---------|
|                 | d                  | H    | W   | L    |  | O                 | C     | g   | t  | Z - d1  |
| 250NB CLASS 300 | 254                | 1275 | 450 | 457  |  | 445               | 387.5 | 324 | 48 | 16 - 29 |
| 300NB CLASS 300 | 305                | 1438 | 450 | 502  |  | 521               | 451   | 381 | 51 | 16 - 32 |
| 350NB CLASS 300 | 337                | 1585 | 500 | 762  |  | 584               | 514.5 | 413 | 54 | 20 - 32 |
| 400NB CLASS 300 | 387                | 1960 | 550 | 838  |  | 648               | 571.5 | 470 | 58 | 20 - 35 |
| 450NB CLASS 300 | 432                | 2155 | 600 | 914  |  | 711               | 628.5 | 533 | 61 | 24 - 35 |
| 500NB CLASS 300 | 483                | 2180 | 650 | 991  |  | 775               | 686   | 584 | 64 | 24 - 35 |
| 600NB CLASS 300 | 584                | 2570 | 700 | 1143 |  | 914               | 813   | 692 | 70 | 24 - 41 |

|   |                   |              |
|---|-------------------|--------------|
| REV A                                   | PIPELINE DYNAMICS |              |
| DATE                                    | AUG 2005          | <b>GA300</b> |
| SCALE                                   | TO FIT            |              |
| <b>GATE VALVE OS&amp;Y CLASS 300 RF</b> |                   |              |