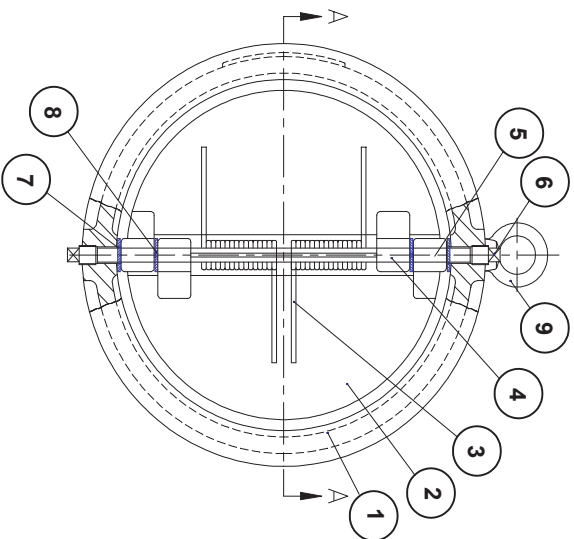


| SIZES | D1  | D2  | D <sub>BCD</sub> | C   | Weight (kg) |
|-------|-----|-----|------------------|-----|-------------|
| 40NB  | 86  | 60  | 98.5             | 60  | 1.8         |
| 50NB  | 101 | 60  | 120.6            | 60  | 2.5         |
| 65NB  | 121 | 73  | 139.7            | 67  | 3.5         |
| 80NB  | 131 | 89  | 152.4            | 73  | 4.5         |
| 100NB | 171 | 114 | 190.5            | 73  | 8.0         |
| 125NB | 193 | 141 | 215.9            | 87  | 10.0        |
| 150NB | 217 | 168 | 241.3            | 98  | 13.0        |
| 200NB | 276 | 219 | 298.5            | 127 | 28.0        |
| 250NB | 336 | 273 | 362.0            | 146 | 45.0        |
| 300NB | 406 | 324 | 431.8            | 181 | 68.0        |
| 350NB | 447 | 356 | 476.3            | 184 | 95.0        |
| 400NB | 511 | 406 | 539.8            | 191 | 132.0       |
| 450NB | 546 | 457 | 577.9            | 203 | 147.0       |
| 500NB | 603 | 508 | 635.0            | 219 | 202.0       |
| 550NB | 657 | 559 | 692.2            | 219 | 230.0       |

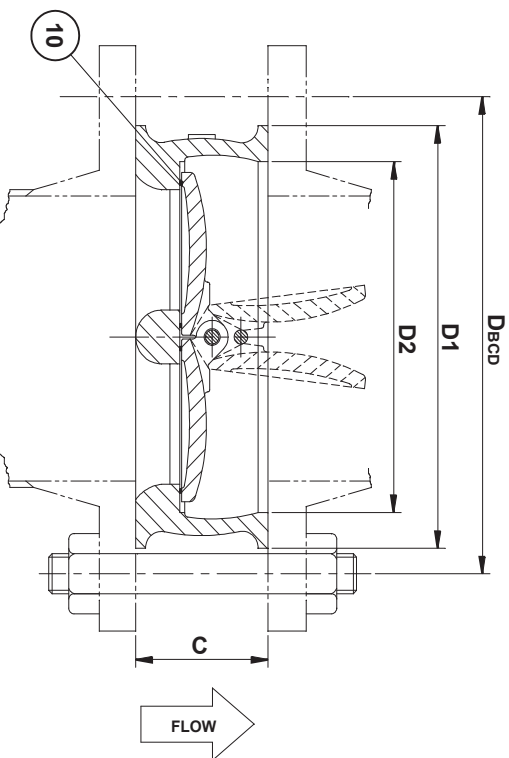
TEST STANDARD: ASME - B16.34 / API 598

|                            |                         |
|----------------------------|-------------------------|
| SHELL HYDROSTATIC PRESSURE | 31.6 kg/cm <sup>2</sup> |
| SEAT HYDROSTATIC PRESSURE  | 22.0 kg/cm <sup>2</sup> |
| SEAT PNEUMATIC PRESSURE    | 6.0 kg/cm <sup>2</sup>  |

|                  |                    |
|------------------|--------------------|
| FACE TO FACE     | API 594            |
| WALL THICKNESS   | API 594            |
| DIMENSION OF END | ASME B16.5 - 150LB |



| NO | PART NAME     | MATERIAL                                 | NO |
|----|---------------|--|----|
| 1  | BODY          | A351 CF8M                                | 1  |
| 2  | PLATE         | A351 CF8M                                | 2  |
| 3  | *SPRING       | SUS 316<br>40NB ~ 125NB<br>150NB ~ 550NB | 1  |
| 4  | HINGE PIN     | SUS 316                                  | 1  |
| 5  | STOP PIN      | SUS 316                                  | 1  |
| 6  | RETAINER      | SUS 316                                  | 4  |
| 7  | BODY BEARING  | PTFE                                     | 2  |
| 8  | PLATE BEARING | PTFE                                     | 2  |
| 9  | EYE BOLT      | A105                                     | 1  |
| 10 | SEAT          | VITON                                    | 1  |



## Pipeline Dynamics

REV A  
MAY 2005  
SCALE TO FIT

**DUO 316 (VITON SEAT)**  
150 LB SS DUAL PLATE WAFER TYPE CHECK VALVE