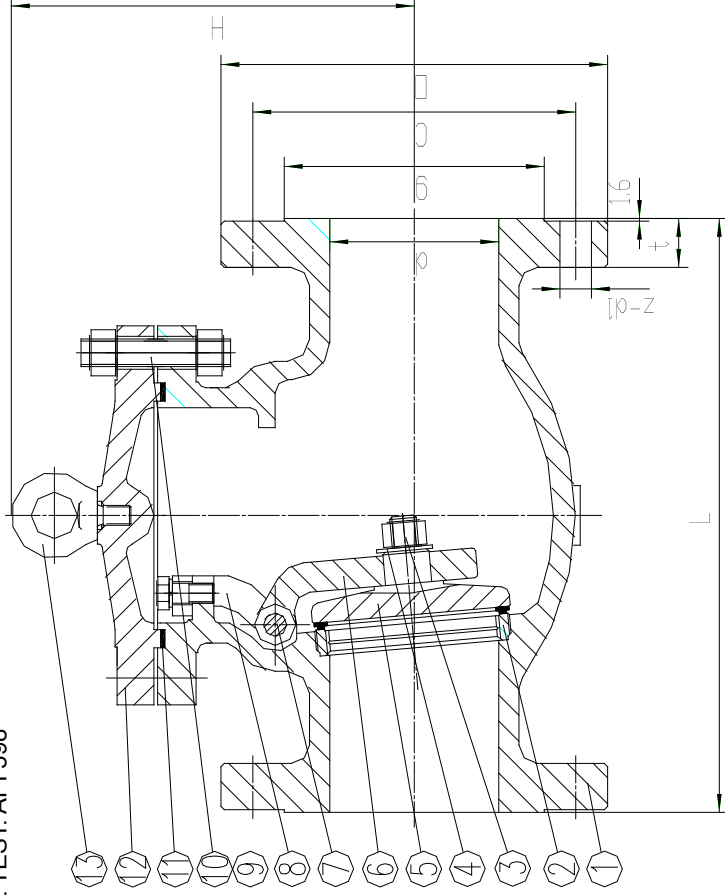


TECHNICAL REQUIREMENTS

1. DESIGN AND MANUFACTURE: BS 1868 or API 6D
2. FACE TO FACE: ASME / ANSI B16.10
3. END FLANGE DIMENSIONS: ASME / ANSI B16.5
4. PRESSURE-TEMP: ASME / ANSI B16.34
5. PRESSURE TEST: API 598



NO	PART NAME	MATERIAL
1	BODY	A216 WCB
2	SEAT RING	A105 + STL
3	DISC NUT	A182 F6
4	WASHER	A182 F6
5	DISC	A105 +13Cr
6	HINGE	A216 WCB
7	HINGE PIN	A182 F6
8	YOKE	A216 WCB
9	COVER BOLT	A193 B7
10	COVER NUT	A194 2H
11	GASKET	SS304 + GRAPHITE
12	COVER	A216 WCB
13	EYE SCREW	CARBON STEEL or ALLOY STEEL

SIZES	GENERAL DIMENSIONS					FLANGE DIMENSIONS							
	d	H	W	L	O	C	g	t	Z-d1				
50NB CLASS 300	51	190	-	267	165	127	92	23	8 - 19				
65NB CLASS 300	64	205	-	292	190	149	105	26	8 - 22				
80NB CLASS 300	76	220	-	318	210	168.5	127	29	8 - 22				
100NB CLASS 300	102	245	-	356	254	200	157	32	8 - 22				
125NB CLASS 300	127	275	-	400	279	235	186	35	8 - 22				
150NB CLASS 300	152	295	-	444	318	270	216	37	12 - 22				
200NB CLASS 300	203	330	-	533	381	330	270	42	12 - 25				
250NB CLASS 300	254	420	-	622	445	387.5	324	48	16 - 29				
300NB CLASS 300	305	480	-	711	521	451	381	51	16 - 32				
350NB CLASS 300	337	535	-	838	584	514.5	413	54	20 - 32				
400NB CLASS 300	387	585	-	864	648	571.5	470	58	20 - 35				
450NB CLASS 300	438	615	-	978	711	628.5	533	61	24 - 35				
500NB CLASS 300	489	685	-	1016	775	686	584	64	24 - 35				
600NB CLASS 300	591	785	-	1346	914	813	692	70	24 - 41				

REV A

BROOK VALVES

DATE MAY 2005

CK300

SCALE TO FIT

WCB SWING CHECK VALVE CLASS 300 RF