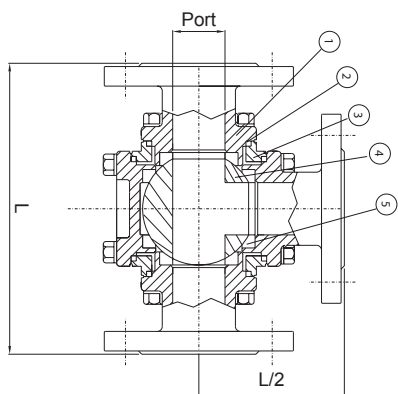
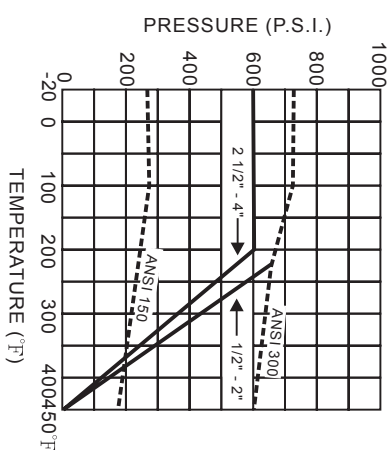


L-PORT



T-PORT

ITEM	PART NAME	MATERIALS
1	FLANGE END	A351 Gr. CF8M
2	GASKET	PTFE
3	BODY	A351 Gr. CF8M
4	BALL	SS 316
5	SEATS	TFM1600
6	THRUST WASHER	RPTFE
7	STEM	SS 316
8	O-RING	VITON
9	STEM PACKING	PTFE
10	GLAND	SS 304
11	DISK WASHER	SS 301
12	STEM NUT	SS 304
13	NUT STOP	SS 304
14	SPACE WASHER	SS 304
15	PLATER	SS 304
16	HANDLE NUT	SS 304
17	HANDLE	SS 304
18	COVER	PLASTISOL
19	STOP PIN	SS 304
20	INSERT PIN	SS 316



BREAK-TORQUE VALUE Nm

SIZE	25NB	40NB	50NB
GREASE	25	32	40
NON-GREASE	29	38	55

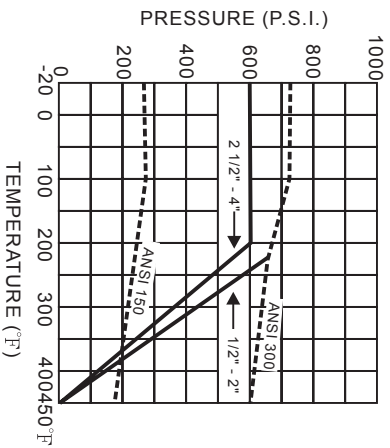
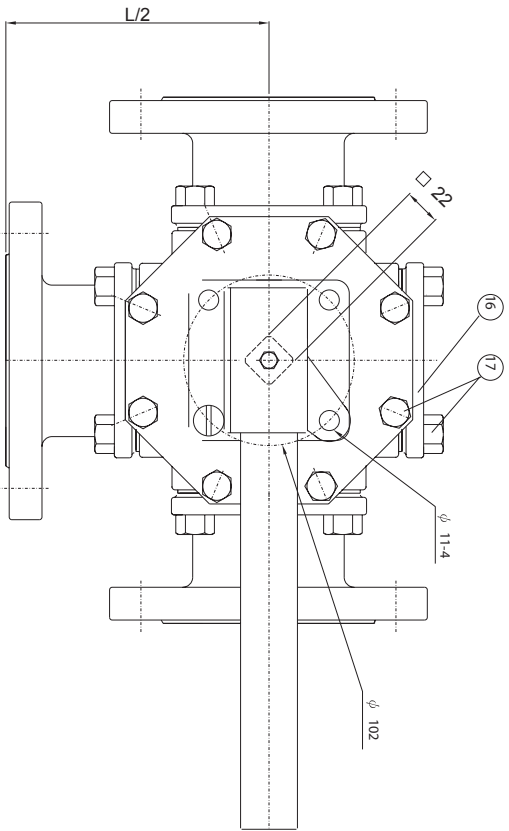
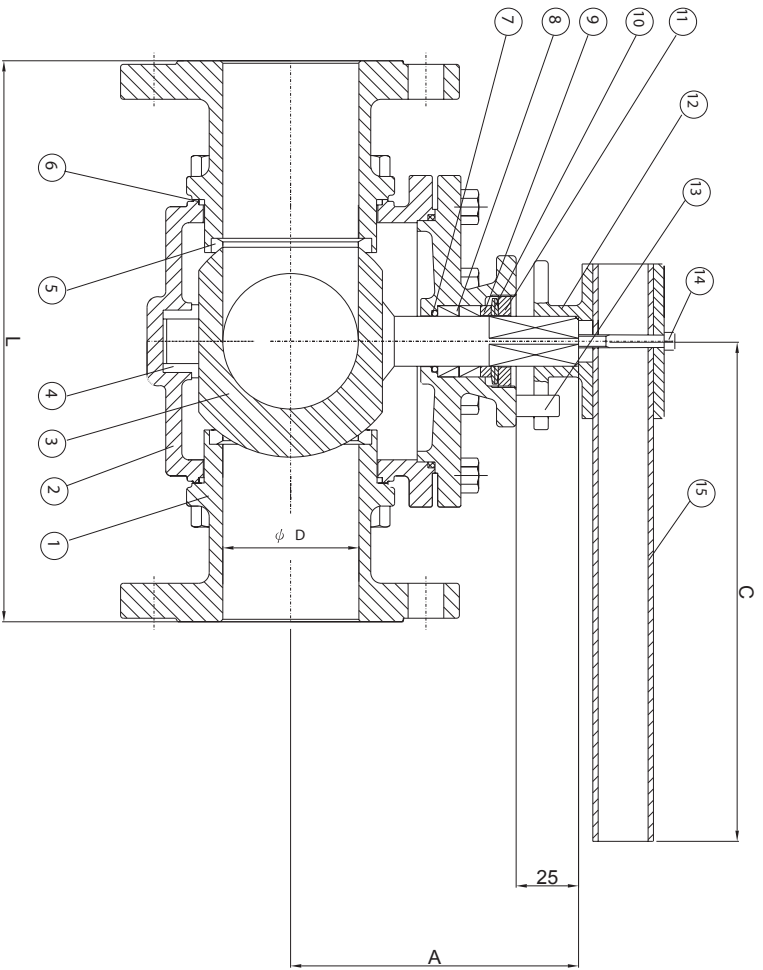
SIZE	A	B	C	d1	d2	E	F	G	H	L	Lg
25NB	55	14	165	6.0	7.1	89	42	50	11	190	6.0
40NB	74	18	205	7.1	9.2	108	50	50	14	220	12.5
50NB	93	23	325	9.2	11.4	140	70	102	17	253	21.4

## Pipeline Dynamics

REV A  
DATE DEC 2005  
SCALE TO FIT

# 3WAY L/T-ISO-150

316SS 3WAY L/T FB BALL VALVE ISO DIRECT MOUNT CLASS 150



ITEM	PART NAME	MATERIALS
1	FLANGE END	A351 Gr. CF8M
2	BODY	A351 Gr. CF8M
3	BALL & STEM	A351 Gr. CF8M
4	HOUSING	PTFE + STAINLESS
5	SEATS	TFM1600
6	GASKET	PTFE
7	O-RING	VITON
8	STEM PACKING	PTFE
9	GLAND WASHER	SS 304
10	DISK WASHER	SS 301
11	GLAND	SS 304
12	HANDLE HEAD	A351 Gr. CF8
13	STOP PIN	SS 304
14	BOLT	SS 304
15	LEVER	CARBON STEEL
16	BLANK END	A351 Gr. CF8M
17	CONNECTION BOLT	SS 304

BREAK-TORQUE VALUE Nm

SIZE	65NB	80NB	100NB
GREASE	105	115	185
NON-GREASE	170	195	250

SIZE	A	C	D	L	kg
65NB	144	400	62	300	28
80NB	162	500	76	305	36
100NB	182	650	96	368.5	65

## Pipeline Dynamics

REV A  
DATE DEC 2005  
SCALE TO FIT

# 3WAY L/T-ISO-150

316SS 3WAY L/T FB BALL VALVE ISO DIRECT MOUNT CLASS 150