

## Model 1216 HP

### Description

Type	Safety and Relief valve
Connections	Threaded BSP / NPT
Rating	PN-100, 250&400
Material	Stainless steel 316 L
Temperature range	-10 to +300° C
Cryogenic service until	-196°C

### Requirements

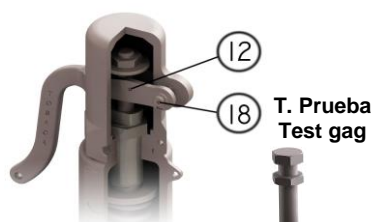
Calculation	EN-4126-1 / 7
Design	EN-12516-1, EN-4126-1 / 7 DIN 259 and ANSI B2.1
Materials	EN
Inspection	EN-4126-1 / 7

### Construction and materials

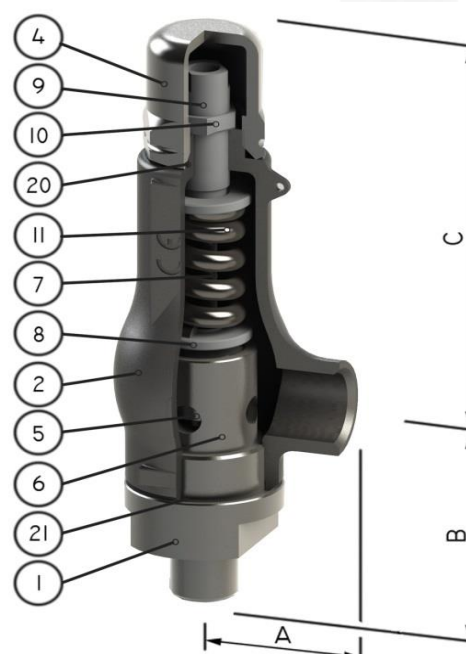
Item	Description	Material	
		Standard	Cryogenic
1	Nozzle	AISI-316	AISI-316
2	Body	A351 CF-3M	A351 CF-3M
4	Cap	A351 CF-8	A351 CF-8
5	Disc	17-4 PH	17-4PH
6	Guide	A351 CF-3M	A351 CF-3M
7	Push Road	AISI-316L	AISI-316L
8	Spring Button	AISI-303	AISI-303
9	Ajusting Screw	AISI-303	AISI-303
10	Tensor Nut	AISI-303	AISI-303
11	Spring	INCONEL X750	17-7 PH
12	Lever	A351 CF-8	A351 CF-8
17	Release nut	AISI-316	AISI-316
18	Lever axis	AISI-303	AISI-303
19	Packing lever axis	AISI-303	AISI-303
20	Gasket	PTFE	PTFE
21	Gasket	GRAPHITE + S.S. AISI-304	
22	Gasket	Viton	PTFE

○ Recommended spare parts

Palanca manual  
Lifting device



Palanca estanca  
Sealed packing lever



### Technical information

Applications	Steam, gases, vapours and liquids
Min. Set pressure	0,2 barg
Max. Set pressure	300 barg
Overpressure	10%
Blowdown	Gases 10%, liquids 20%
Tolerance Set pressure	± 3%
Discharge coefficients	k= 0,5 for gases k= 0,4 for liquids

### Dimensions

Inlet	Outlet	Orifice	Area (mm <sup>2</sup> )	A (mm)	B (mm)	C (mm)	Weight (kg)
<b>PN100 PN40</b>							
1"	2"	16	201	62	100	235	5
1 1/4"	2"	18	254	62	100	235	5
1 1/2"	2"	20	314	62	100	235	6
2"	2"	22	380	62	100	235	6,3
<b>PN250 PN40</b>							
1/2"	3/4"	9	64	45	72	155	3
3/4"	3/4"	9	64	45	72	155	3
1"	1"	9	64	45	77	155	3
<b>PN400 PN40</b>							
1/2"	3/4"	6	28	45	72	155	3
3/4"	3/4"	6	28	45	72	155	3
1"	1"	6	28	45	77	155	3